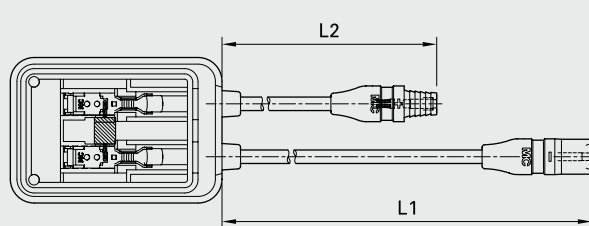


Anschlussdose PV-JB/K-2/... nach Kundenwunsch **Junction box PV-JB/K-2/... according to customer request**

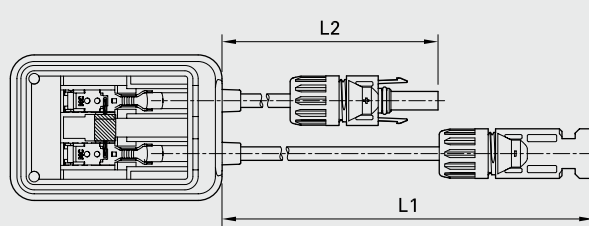
<input type="text"/>	Stückzahl Quantity	<input type="checkbox"/>	Bestellung Order	<input type="checkbox"/>	Preis Anfrage Quotation	<input type="text"/>	Referenz Reference
----------------------	------------------------------	--------------------------	----------------------------	--------------------------	-----------------------------------	----------------------	------------------------------

MC3



Querschnitt Cross section	Länge in cm Length in cm	Kabelfarbe Cable colour
<input type="checkbox"/> 2,5mm ²	L1 <input type="text"/>	<input type="checkbox"/> 21 <input type="checkbox"/> 22 <input type="checkbox"/> 23
<input type="checkbox"/> 4,0mm ²	L2 <input type="text"/>	<input type="checkbox"/> 21 <input type="checkbox"/> 22 <input type="checkbox"/> 23
<input type="checkbox"/> 10AWG		

MC4



Querschnitt Cross section	Länge in cm Length in cm	Kabelfarbe Cable colour
<input type="checkbox"/> 2,5mm ²	L1 <input type="text"/>	<input type="checkbox"/> 21 <input type="checkbox"/> 22 <input type="checkbox"/> 23
<input type="checkbox"/> 4,0mm ²	L2 <input type="text"/>	<input type="checkbox"/> 21 <input type="checkbox"/> 22 <input type="checkbox"/> 23
<input type="checkbox"/> 10AWG		

Modulstrom Module current IMPP: <input type="text"/> A	Modulkurzschlussstrom Module short-circuit current Isc: <input type="text"/> A	Diodentyp Diode type <input type="text"/>	Klebepad Adhesive pad <input type="checkbox"/> separat / separately	Kabelbinder und -halter Cable ties and retainers <input type="checkbox"/> PV-KBF
--	--	---	---	--

Absender / Sender

Firma / Company

Name Abteilung / Department

Adresse / Address

Tel. Fax

E-Mail

Sonstiges / Other

Datum / Date Unterschrift / Signature